

REMOTE CONTROLLED DOG TRAINING COLLARS

OWNER'S MANUAL



Dogtra Company

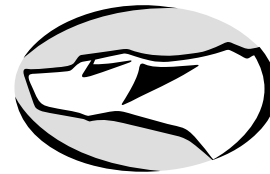
1250 E. 223rd Street, Suite 119
Carson, CA 90745

Tel : (310) 522 - 1800

Fax : (310) 522 - 1805

Web Site : www.dogtra.com

Toll Free : 1-888-811-9111



***dogtra* 1200 SERIES**



CONTENTS

• OVERVIEW	3
• MAIN FEATURES	5
• PRODUCT SAFETY AND HEALTH STATEMENTS	6
• dogtra COLLAR PACKAGE CONTENTS	7
• DESCRIPTION OF TRANSMITTER PARTS	8
• BUTTON FUNCTION	14
• DESCRIPTION OF COLLAR PARTS	18
• BATTERY CHARGER	23
• CHARGING THE BATTERIES	24
• TESTING YOUR dogtra 1200 SERIES COLLARS	27
• OPERATING INSTRUCTIONS	30
• ACCESSORIES	36
• WARRANTY AND REPAIR INFORMATION	37

OVERVIEW

dogtra training collars give you the ability to communicate with your dog in a timely manner even when the dog is far away from you. This makes it much easier for the dog to learn its lessons because late corrections are very confusing to the dog.

dogtra remote collars offer three different kinds of stimulation:

Pressing the “Nick” button causes a very short single pulse of electrical stimulation. It automatically shuts off in a fraction of a second, no matter how long the button is held down.

The “Nick” is used as a substitute for leash corrections when the dog is off lead. It is mild but motivating!

Pressing the “Constant” button causes the collar to emit electrical stimulation that stays on for up to twelve seconds as long as the button is held down. “Constant” stimulation is used for low-level applications for guiding dogs into the desired behavior or as a reserve high to stop unsafe behaviors such as chasing animals or cars.

Pressing the “Pager” button causes the dog’s collar to vibrate like a phone pager. It allows you to train with a non-electrical type of stimulation. It’s a great attention getter.

All **dogtra** collars come complete with a handheld transmitter, dog collar with receiver, battery charger, test light, operating instructions manual and carrying case.

MAIN FEATURES

- Easy to use transmitter.
- All intensity level adjustments are made from a digital dial on the transmitter. The dial works like a rheostat, gradually increasing the intensity with no jumps between intensity levels.
- Reliable stimulation effective for all types of dogs no matter how heavy the coat.
- The **dogtra 1200 SERIES** has a 1/2-mile range.
- Two-dog models allow the trainer to control two different dogs from one transmitter.
- Waterproof collar receiver and transmitter.
- No external antenna on the collar receiver.
- User replaceable and rechargeable Ni-MH batteries.
- Over 3000 different identity codes to prevent conflicts with other collars.

PRODUCT SAFETY AND HEALTH STATEMENTS

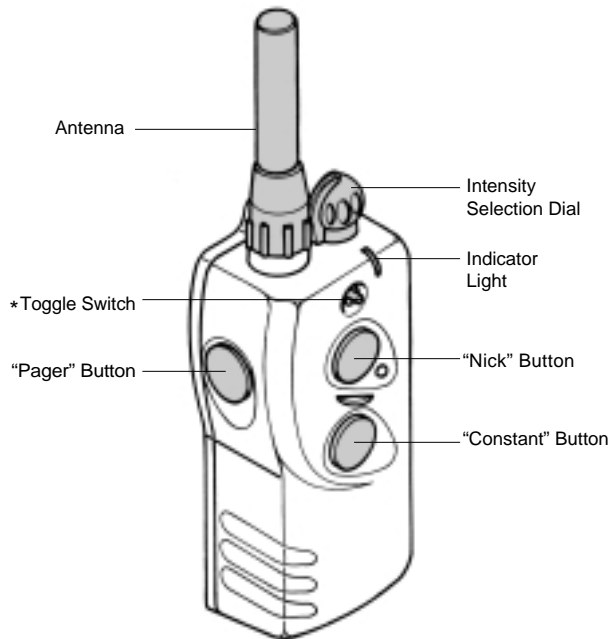
- **dogtra** collars use state-of-the-art micro-technology.
- If the constant button is held down for more than 12 seconds, an automatic power-down circuit will activate.
- A filtering system prevents unwanted reception from outside sources.
- **dogtra** collars are intended for the sole use for training dogs.
- Dogs should be in good health during any e-collar training.
- **dogtra** collars are not intended for use on dogs weighing less than 12 pounds or less than 6 months of age.
- Discontinue use if signs of irritation begins to appear on the dog's skin around the neck caused by the rubbing action of the collar strap and/or contact points.
- Do not attempt to test **dogtra** collars on humans or other animals.

dogtra COLLAR PACKAGE CONTENTS

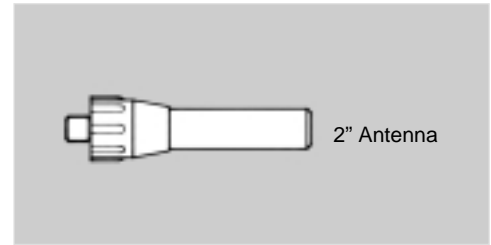
- Transmitter
- Receiver (two collar receivers for **dogtra** two dog models)
- Battery charger and splitter cable
- Test light
- Owner's manual
- Carrying case

DESCRIPTION OF TRANSMITTER PARTS

dogtra 1200NCP transmitter



**indicates optional switch for 2 dog models*

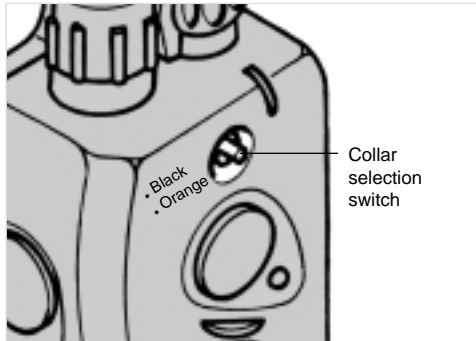


Transmitter Antenna

A short 2" antenna is supplied with the *dogtra* 1200 SERIES .

The antenna should be screwed into the top of the transmitter to ensure that the signals are sent properly to the collar receiver and that maximum range is attained.

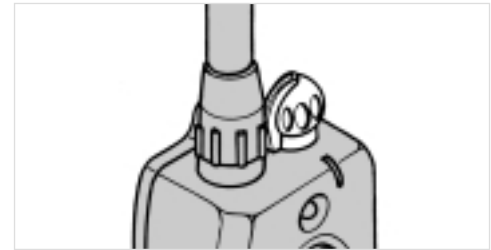
dogtra 1200 TWO-DOG MODELS



Selection Switch on the *dogtra* 1200 Two-Dog Models

The two-dog models have a toggle switch on the face of the transmitter located above the “Nick” button. The toggle switch allows for selection of either collar.

Set the toggle switch on the orange position to select the orange collar and the black position to select the black collar.



Intensity Selection Dial

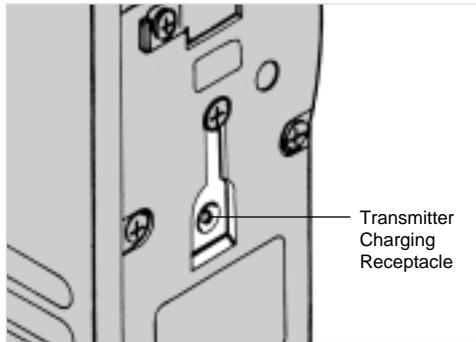
The intensity selection dial is located on the top of the transmitter.

In the fully counter clockwise position-”zero” setting- no electrical stimulation occurs even when the transmitter button is pressed (a safety feature).

Moving the dial from the zero setting in a clockwise manner, electrical stimulation will begin at a lower setting. Continuing clockwise will increase the stimulation level in a linear progression-no steps or increments up to the highest level (100).

Conversely, moving the dial counter-clockwise, the level reduces in a downward linear progression until at the “zero” setting (fully counter-clockwise).

This feature allows for subtle adjustment of the level (upward of downward) while the transmitter button is held down continuously - providing e-linear training.

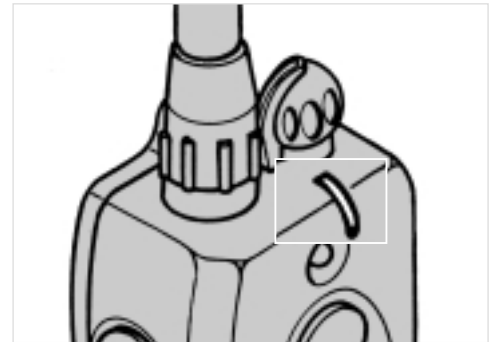


Transmitter Battery Charging Receptacle

Located on the backside of the transmitter, the receptacle is covered by a rubber plug. Insert one end of the battery charging cable into the receptacle to charge the battery.

(See Battery Charging Procedure.)

After charging is completed, close the receptacle with its rubber plug to prevent dirt from getting inside.



Transmitter Indicator Light (LED)

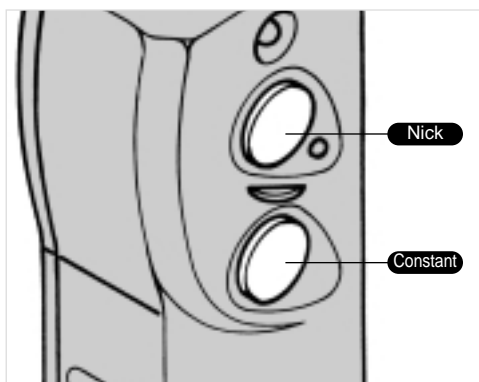
The transmitter indicator light is located by the intensity selection dial.

When a button on the transmitter is pushed, the red light comes on to indicate that the transmitter is being activated.

If the indicator light emits a double blink while the button is pressed, the battery needs to be recharged.

BUTTON FUNCTION

dogtra 1200NC



The transmitter for *dogtra 1200NC* has two buttons.

The top button gives “Nick” stimulation when pressed. The bottom button gives “Constant” stimulation for as long as you press the button up to twelve seconds.

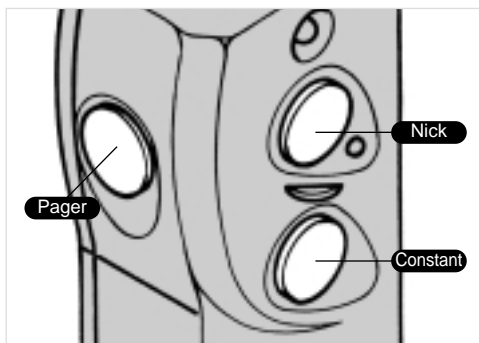
“Nick” Button

When the “Nick” button is pushed, the receiver emits an extremely short pulse of electrical stimulation that automatically shuts off no matter how long you leave your finger on the button. The “Nick” is mild but motivating!

“Constant” Button

Pressing the “Constant” button gives stimulation for up to twelve seconds, at which time, the collar will turn off. The collar will reactivate when you push the button again.

dogtra 1200NCP



The transmitter for ***dogtra 1200NCP*** has three buttons (two on the face of the transmitter and one on the side).

On the face of the transmitter the top button gives a pre-measured “Nick” of stimulation when pressed.

The bottom or “Constant” button gives stimulation for as long as you hold down the button for up to twelve seconds.

The button on the side is the “Pager” button. When pressed, the “Pager” button causes the collar receiver to vibrate.

“Nick” Button

When the “Nick” button is pushed, the receiver emits an extremely short pulse of electrical stimulation that automatically shuts off no matter how long you leave your finger on the button. The “Nick” is mild but motivating!

“Constant” Button

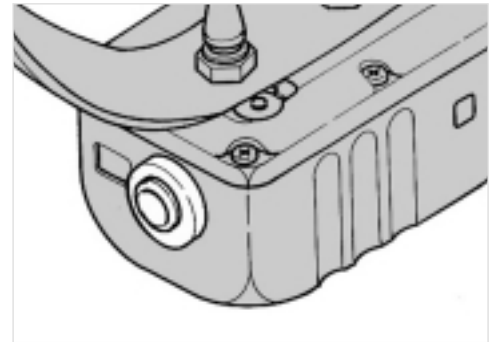
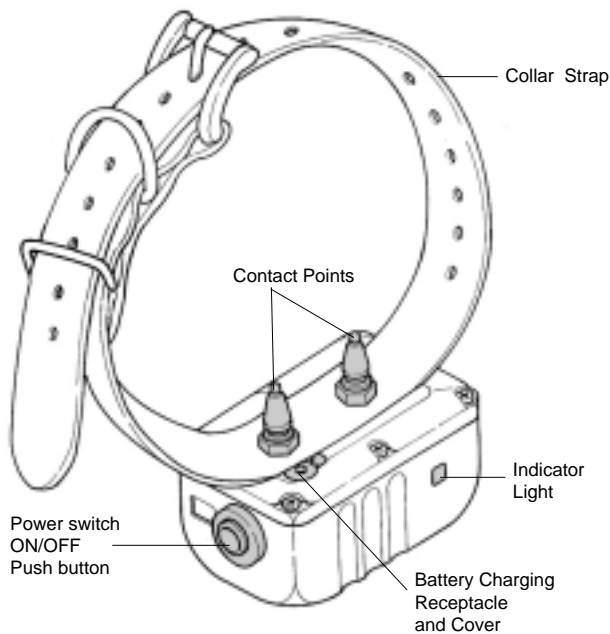
Pressing the “Constant” button gives stimulation for up to twelve seconds, at which time, the collar will turn off. The collar will reactivate when you push the button again.

“Pager” Button

Pressing the “Pager” button on the side of the transmitter causes the collar to vibrate. It’s a great way of communicating with your dog using non-electrical stimulation. It is useful as an attention getter, giving you added training finesse.

DESCRIPTION OF COLLAR PARTS

dogtra 1200 SERIES Collar

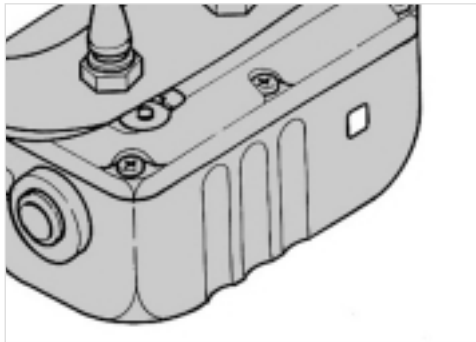


ON/OFF Button

To turn the collar on, press the button on the end of the receiver for one full second until the light comes on.

To turn the collar off, hold the button down for one full second until the red light goes off.

A delay has been built into the on/off switch so the dog cannot turn the collar off by accident.

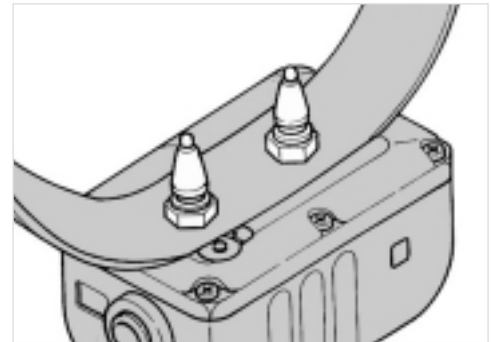


Receiver Indicator Light (LED)

Located on the front of the collar, the indicator light comes on and blinks once every 2 seconds after the collar is turned on.

The blinking will change from a single flash to a double flash when the collar needs to be recharged.

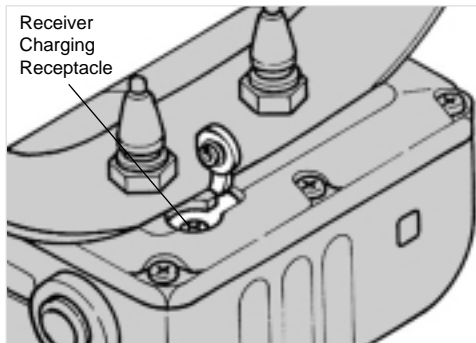
When the “Constant” button on the transmitter is pushed, the collar indicator light will glow steadily for as long as you hold the button down, for up to twelve seconds. When the “Nick” button is pushed, the light comes on for a fraction of a second.



Contact Points

The collar should be fitted so that the stainless steel contact points press firmly against the dog's skin.

A loose fit can allow the collar to move around on the dog's neck. When this happens the contact points may rub the skin and cause irritation. If the collar is too loose, electrical contact will be inconsistent and your corrections will be inconsistent also.



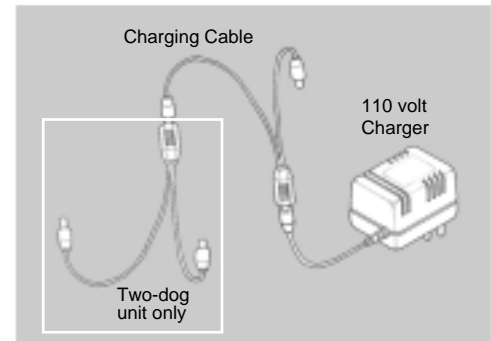
Receiver Battery Charging Receptacle

On the inside of the collar, next to the collar strap, is a battery charging receptacle with a rubber cover plug.

Internal Antenna

The **dogtra 1200 SERIES** has no external antenna on the collar. The Antenna is inside the collar receiver.

BATTERY CHARGER

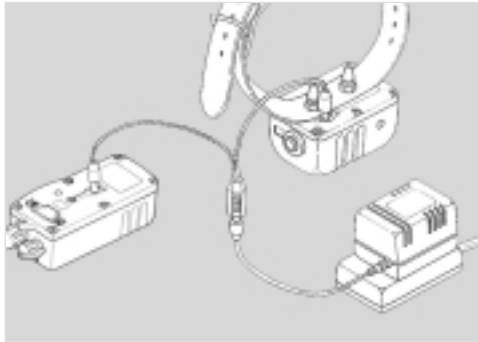


The battery charger and charging cables allow you to charge both the transmitter and receiver at the same time.

The battery charger is designed for a 110-volt wall outlet. (European 220-volt AC chargers and 12-volt field charger for your automobile are also available).

To use the battery charger for the two-dog unit, combine both sets of battery charging cables as shown. This enables you to charge the transmitter and both receivers at the same time.

CHARGING THE BATTERIES



dogtra uses Ni-MH (Nickel-Metal-Hydride) batteries that do not set a memory and can be charged on a regular basis without harm to the battery. Allow batteries to drain completely every 4 months to maximize battery life.

1. Charge the batteries for 14 hours before using the collar for the first time.
2. Do not charge the batteries near any flammable substances.

3. Fully charge the batteries for 14 hours if the collar is to be stored without use for a period of a month or more.
4. Recharge the battery if
 - the indicator light on the collar is emitting a double blink every 2 seconds,
 - the indicator light on the transmitter or receiver will not come on,
 - the indicator light on the transmitter or receiver comes on momentarily but will not stay on when the "Constant" button is pushed.

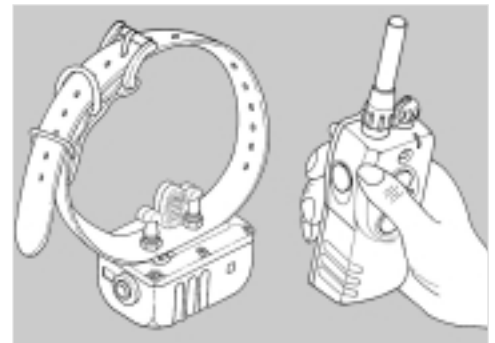
Battery charging procedure

1. Attach the charging cables to both the transmitter and receiver(s), as shown on page 24.
2. Plug the charger into a 110-volt wall outlet as if using the accessory field charger plug into a cigarette lighter.
(Use 220-volt European charger for Europe)
When properly plugged in, all indicator lights should glow red.

The receiver automatically turns off when you insert the charging cable into the battery charging receptacle on the receiver.

3. After charging, cover the battery charging receptacles with the rubber plugs on the transmitter and receiver.
4. Battery is fully charged with a 14-hour charge.

TESTING YOUR *dogtra* 1200 SERIES COLLARS



1. Turn the power switch on by pressing the button on the end of the collar receiver for one second. The indicator light will come on for a moment then blink once every two seconds, showing that the collar is ready to use. (If the red indicator light emits a double blink every two seconds, the batteries need to be charged.)

2. Place the test light on the receiver contact points and hold it there.
3. Set the transmitter intensity dial to level one hundred and push the “Constant” button.
4. Watch the test light as you push the “Constant” button on the transmitter. It should glow brightly. As a safety feature the collar will automatically turn off after twelve seconds. To reactivate, release the button for one second and the collar will reset.
5. Push the “Nickt” button. The test light should light for just a moment.
6. Change the intensity dial to level fifty and repeat the test. The test light should glow dimmer.

NOTE : It is normal for the test light not to come on if the intensity level is set below level ten.

Testing the “Pager” Feature:

If you have a dogtra collar with the pager feature, push the “Pager” button while holding the receiver in your hand. You should feel the collar vibrate.

OPERATING INSTRUCTIONS

Fitting the collar

The collar strap should be adjusted so that the contact points are held firmly against the dog's skin. If the collar is too loose, it can cause irritation from the contacts rubbing against the skin.

If the dog has a heavy coat, move the receiver up and down to work the contact points down into the coat.

ATTENTION!

Avoid having the dog wear the collar with the contact points in the same place for more than two hours at a time. Leaving the points on the same spot for extended periods of time can cause skin irritation. If the dog is to wear the e-collar for long periods, occasionally reposition the collar so that the contact points are moved to a different spot on the dog's neck.

Intensity selection

To select the intensity level, start on the "zero" setting. Gradually increase the level until you get a response from the dog that would be equivalent to a quick pull or "POP" with a leash.

Remember that you will need to adjust the setting (upward or downward) as the dog's attitude changes, especially during times of increased excitement or distraction.

Maintenance

Always clean and rinse the collar thoroughly with tap water after use in salt water.

The receiver and collar strap should be periodically cleaned with detergent and water to prevent malfunction. Remove the contact points and clean the area beneath the strap.

Reception

The **dogtra 1200 SERIES** collar has a range of a half-mile. Depending on the way you use your transmitter, the transmitting range may vary.

You will have extended range if you hold the transmitter away from your body when you push the button.



Maximum Range



Typical Range



Minimum Range

If your finger touches the antenna near the dial on the top of the transmitter, the actual range may be reduced, while you push the button on the transmitter

BELT CLIP ACCESSORY

Fig. 1.

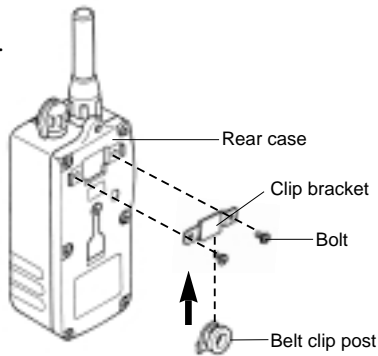
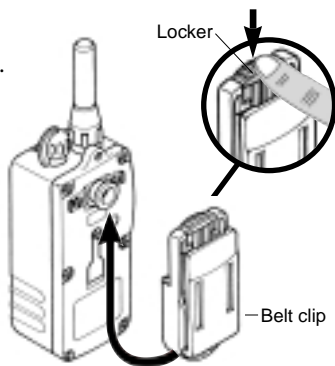


Fig. 2.



BELT CLIP ACCESSORY

- 1) Remove the clip bracket from the rear case. Fig.1.
- 2) Insey the belt clip post into the clip bracket (uward as shown) and then retighten the bolts. Fig.1.
- 3)Attach the belt clip onto the belt clip post.(As shown)Fig.2
- 4)When you separate the transmitter from the belt clip, pull upward on the transmitter while pushing downward on the locker.(As shown) Fig.2

ACCESSORIES

The following items may be purchased separately

European Charger

Designed for use with 220V AC electrical outlets in Europe.

Field Auto Charger

Designed for use with the 12-volt cigarette lighter in your car.

WARRANTY AND REPAIR INFORMATION

Warranty Repair

Dogtra Company provides the original purchaser a two-year limited warranty on parts and labor from the date of the original purchase. The warranty does not cover failure resulting from damage, abuse or loss of parts. The warranty is void if the unit has been altered or an unauthorized person has attempted work.

Batteries or the labor to replace them are not covered under warranty after the first year.

A copy of the sales receipt showing purchase date is required before warranty work is begun.

Write a note briefly explaining the problem and include your name, address, city/state/zip code, daytime and evening phone numbers.

Return shipping for warranty is the owner's responsibility. Costs for shipping(via regular ground service) back to the customer is covered by Dogtra Co. within the continental United States. Any expedited shipping service will be at the owner's expense.

Ship to :

Dogtra Company

1250 E. 223rd Street, Suite 119

Carson, CA 90745

For any questions concerning your dogtra products
call us Toll Free at 1-888-811-9111.

Out of Warranty Repair

For repair work that is no longer covered by
warranty, the cost of repair will include parts,
labor and shipping. Write a note briefly
explaining the problem. Include your name,
address, city/state/zip code, daytime phone
number and evening phone number.

Send equipment to:



1250 E. 223rd Street, Suite 119

Carson, CA 90745

Tel : (310) 522 - 1800

Fax : (310) 522 - 1805

Toll Free: 1-888-811-9111

MEMO
