

REMOTE CONTROLLED DOG TRAINING COLLARS

OWNER'S MANUAL



Dogtra Company

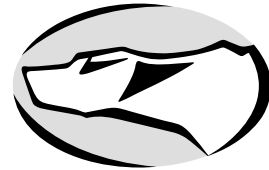
1250 E. 223rd Street, Suite 119
Carson, CA 90745

Tel : (310) 522-1800

Fax : (310) 522-1805

Web Site : www.dogtra.com

Toll Free : 1-888-811-9111



dogtra 175 NCP



CONTENTS

• OVERVIEW	3
• MAIN FEATURES	5
• PRODUCT SAFETY AND HEALTH STATEMENTS	6
• dogtra COLLAR PACKAGE CONTENTS	7
• DESCRIPTION OF TRANSMITTER PARTS	8
• DESCRIPTION OF COLLAR PARTS	15
• BATTERY CHARGER	20
• CHARGING THE BATTERIES	21
• TESTING YOUR dogtra 175NCP COLLAR	24
• OPERATING INSTRUCTIONS	26
• ACCESSORIES	30
• WARRANTY AND REPAIR INFORMATION	31

OVERVIEW

dogtra training collars give you the ability to communicate with your dog in a timely manner even when the dog is at a distance from you. This makes it much easier for the dog to learn its lessons because late corrections are very confusing to the dog.

dogtra 175NCP remote collars offer three different kinds of stimulation:

Pressing the “Nick” button causes a very short single pulse of electrical stimulation. It automatically shuts off in a fraction of a second, no matter how long the button is held down.

The “Nick” is used as a substitute for leash corrections when the dog is off lead. It is mild but motivating!

Pressing the “Constant” button causes the collar to emit electrical stimulation that stays on for up to twelve seconds as long as the button is held down. “Constant” stimulation is used for low level applications for guiding dogs into the desired behavior or as a reserve high to stop unsafe behaviors such as chasing animals or cars.

Pressing the “Pager” button causes the dog’s collar to vibrate like a phone pager. It allows you to train with a non-electrical type stimulation. It’s a great attention getter.

All **dogtra** collars come complete with a handheld transmitter, dog collar with receiver, battery charger, owner’s manual.

MAIN FEATURES

- **COLLAR RECEIVER** - Newly designed to make adjusting the collar strap easy.
- **WATERPROOF HOUSING** - The trainer’s transmitter is water-resistant and the dog’s collar is waterproof.
- **NON - CLUMSY FEEL** - Ergonomic trainer’s transmitter is small but fits the hand well.
- **NON - EXPOSED ANTENNA** - The dog’s collar is lightweight and non - obtrusive in appearance.
- **EFFECTIVE RANGE** - Very efficient penetration power up to 400- plus yards.
- **GLOVE - USE BUTTONS** - A no-look feel during inclement weather.
- **ONE CHARGER SYSTEM** - Charges both the trainer’s transmitter and the dog’s collar at the same time.

PRODUCT SAFETY AND HEALTH STATEMENTS

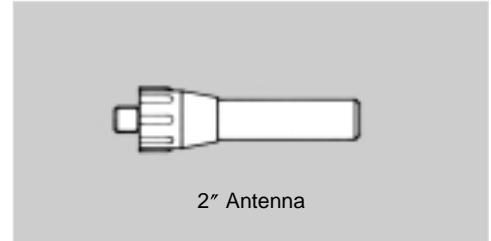
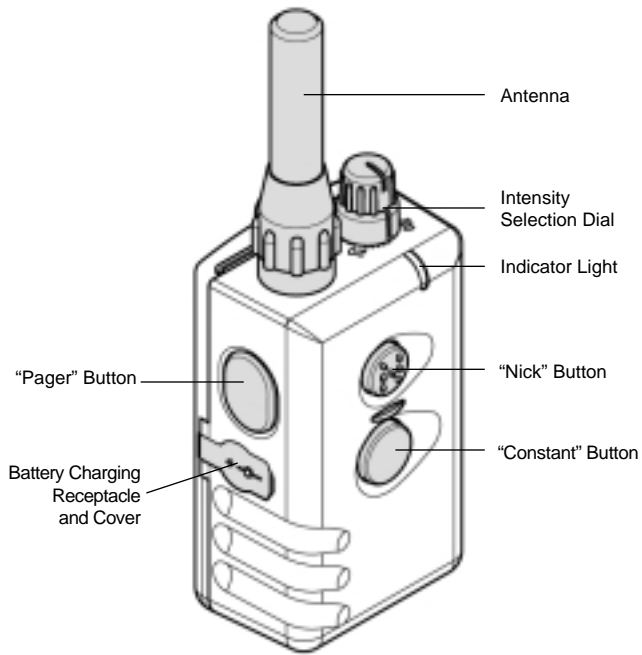
- **dogtra** collars use state-of-the-art micro-technology.
- If the constant button is held down for more than 12 seconds, an automatic power-down circuit will activate.
- A filtering system prevents unwanted reception from outside sources.
- **dogtra** collars are intended for the sole use for training dogs.
- Dogs should be in good health during any e-collar training.
- **dogtra** collars are not intended for use on dogs weighing less than 12 pounds or less than 6 months of age.
- Discontinue use if signs of irritation begins to appear on the dog's skin around the neck caused by the rubbing action of the collar strap and/or contact points.
- Do not attempt to test **dogtra** collars on humans or other animals.

dogtra COLLAR PACKAGE CONTENTS

- Transmitter
- Receiver
- Battery charger and splitter cable
- Owner's manual

DESCRIPTION OF TRANSMITTER PARTS

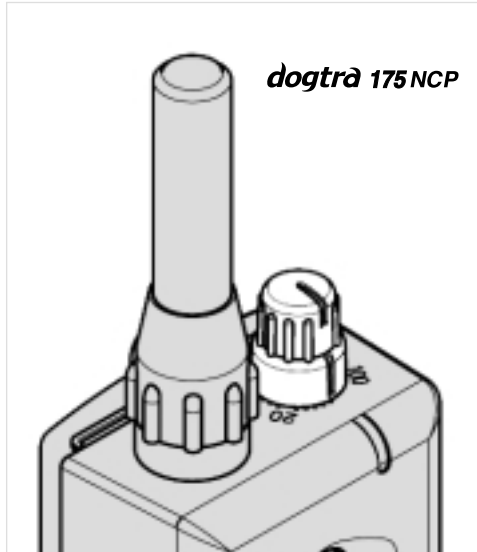
dogtra 175NCP transmitter



Transmitter Antenna

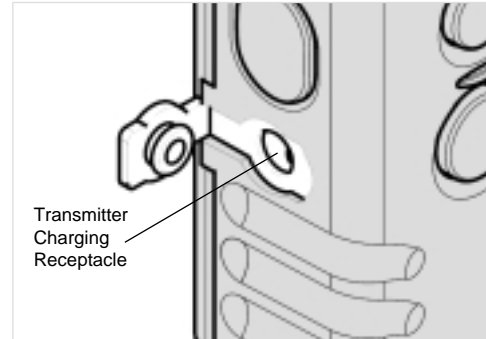
A short 2" antenna is supplied with the *dogtra 175NCP*.

The antenna should be screwed into the top of the transmitter to ensure that the signals are sent properly to the collar receiver and that maximum range is attained.



Intensity Selection Dial

The intensity selection dial is located on the top of the transmitter. One is the lowest level and one hundred is the highest.

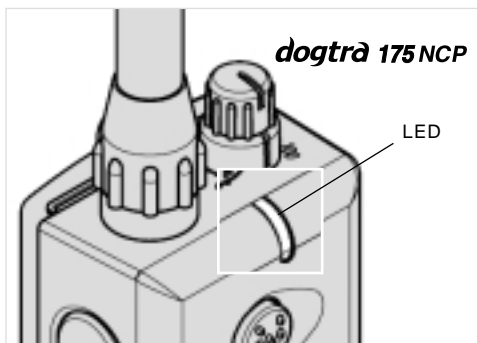


Transmitter Battery Charging Receptacle

Located on the side of the transmitter, the receptacle is covered by a rubber plug. Insert one end of the battery charging cable into the receptacle to charge the battery.

(See Battery Charging Procedure.)

After charging is completed, close the receptacle with its rubber plug to make sure dirt does not get inside.



Transmitter Indicator Light (LED)

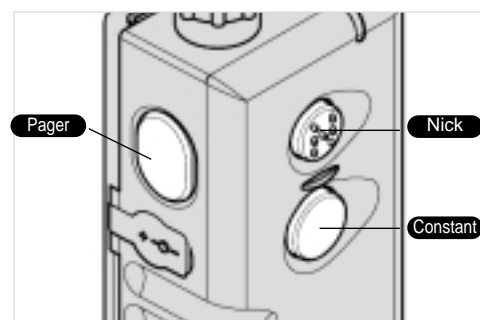
The transmitter indicator light is located between the antenna and the intensity selection dial.

When a button on the transmitter is pushed, the red light comes on to indicate that the transmitter is being activated.

When the battery needs to be recharged the indicator light will emit a blink every 0.5 seconds.

BUTTON FUNCTION

dogtra 175 NCP



The transmitter for *dogtra 175 NCP* has three buttons (two on the face of the transmitter and one on the side.)

On the face of the transmitter the top button gives a pre-measured “Nick” of stimulation when pressed.

The bottom or “Constant” button gives stimulation for as long as you hold down the button for up to twelve seconds.

The button on the side is the “Pager” button. When pressed, the “Pager” button causes the collar receiver to vibrate. The pager mode does not implement any electrical stimulation.

“Nick” Button

When the “Nick” button is pushed, the receiver emits an extremely short pulse of electrical stimulation that automatically shuts off no matter how long you leave your finger on the button. The “Nick” is mild but motivating!

“Constant” Button

Pressing the “Constant” button gives stimulation for up to twelve seconds, at which time, the collar will turn off. The collar will reactivate, when you push the button again.

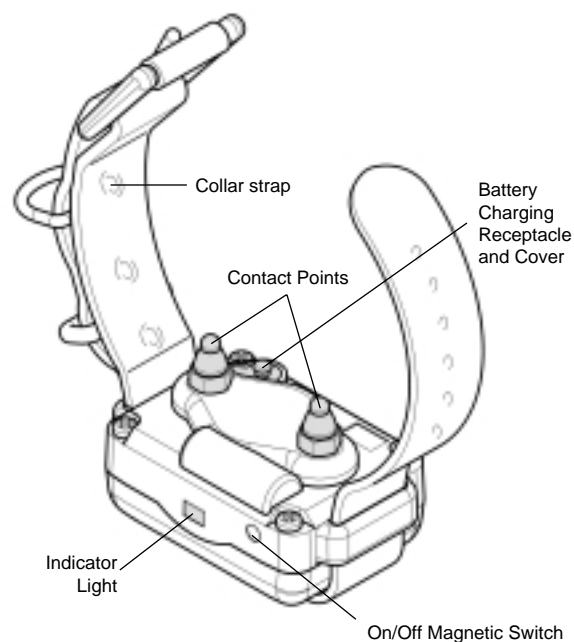
“Pager” Button

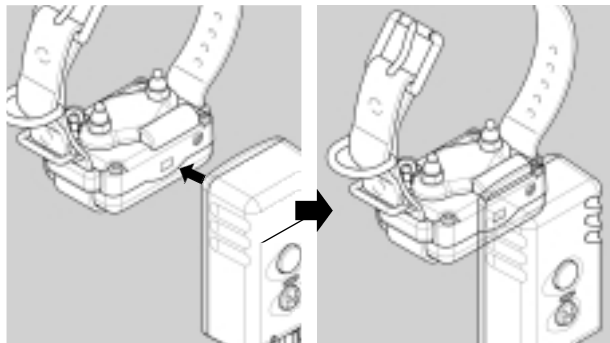
Pressing the “Pager” button on the side of the transmitter causes the collar to vibrate.

It’s a great way of communicating with your dog using non-electrical stimulation. It is useful as an attention-getter, giving you added training finesse.

DESCRIPTION OF COLLAR PARTS

dogtra 175 NCP Collar



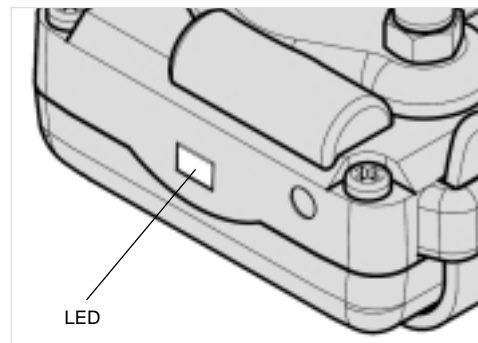


On/Off Magnetic Switch

To activate the **dogtra 175NCP** place the red dot on the back of the transmitter to the red dot on the collar.

Hold the two red marks together for a moment until the LED indicator light comes on. The indicator light will blink every two seconds showing the unit is charged and ready to use. (If the red indicator light emits a double blink every two seconds, the batteries need to be charged.)

To deactivate the **dogtra 175NCP** hold the red dot on the transmitter to the red dot on the collar for a moment. The led light will stop blinking, the unit is now shut off. To attain maximum battery life, deactivate the unit when not in use.

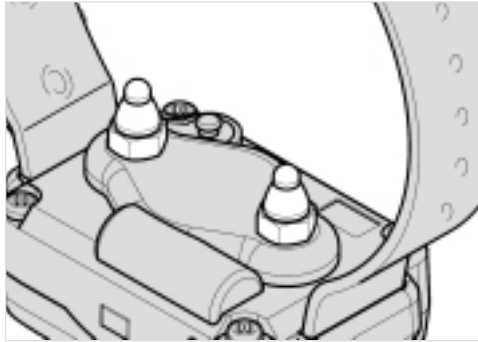


Receiver Indicator Light (LED)

Located on the front of the collar, the indicator light comes on and blinks once every 2 seconds after the collar is turned on.

The blinking will change from a single flash to a double flash when the collar needs to be recharged.

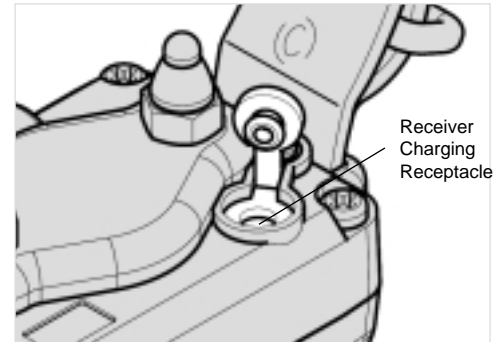
When the "Constant" button on the transmitter is pushed, the collar indicator light will glow steadily for as long as you hold the button down, for up to twelve seconds. When the "Nick" button is pushed, the light comes on for a fraction of a second.



Contact Points

The collar should be fitted so that the stainless steel contact points press firmly against the dog's skin.

A loose fit can allow the collar to move around on the dog's neck. When this happens, the contact points may rub the skin and cause irritation. If the collar is too loose, electrical contact will be inconsistent and your corrections will be inconsistent also.



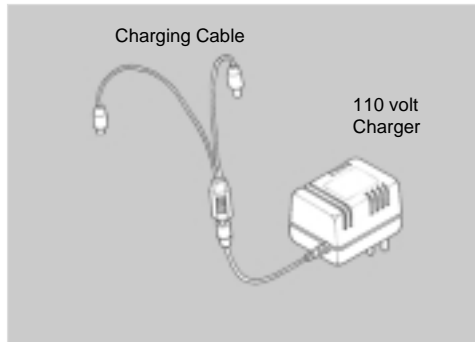
Receiver Battery Charging Receptacle

On the inside of the collar, next to the collar strap, is a battery charging receptacle with a rubber cover plug.

Internal Antenna

The **dogtra 175NCP** has no external antenna on the collar. The Antenna is inside the collar receiver.

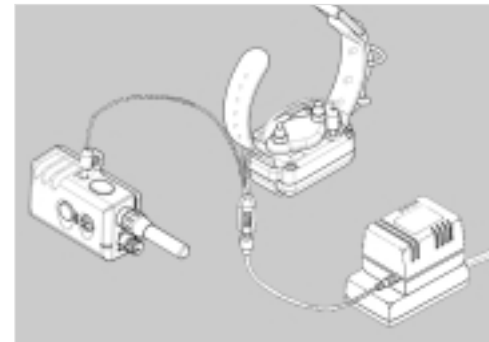
BATTERY CHARGER



The battery charger and charging cables allow you to charge both the transmitter and receiver at the same time.

The battery charger is designed for a 110 volt wall outlet. (European 220 volt AC chargers and 12-volt field charger for your automobile are also available).

CHARGING THE BATTERIES



dogtra uses Ni-MH (Nickel-Metal-Hydride) batteries that do not set a memory and can be charged on a regular basis without harm to the battery. There is no need to completely drain the batteries between charges.

1. Charge the batteries for 14 hours before using the collar for the first time.
2. Do not charge the batteries near any flammable substances.

3. Fully charge the batteries for 14 hours if the collar is to be stored without use for a period of a month or more.
4. Recharge the battery if
 - the indicator light on the collar is emitting a double blink every 2 seconds,
 - the indicator light on the transmitter or receiver will not come on,
 - the indicator light on the transmitter or receiver comes on momentarily but will not stay on, when the “Constant” button is pushed.

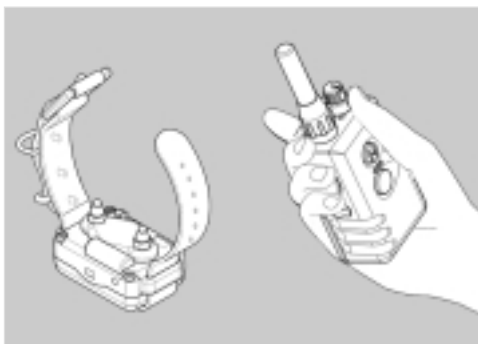
Battery Charging Procedure

1. Attach the charging cables to both the transmitter and receiver(s), as shown on page 21.
2. Plug the charger into a 110-volt wall outlet or, if using the accessory field charger, plug into a cigarette lighter.
(Use 220-volt European charger for Europe)
When properly plugged in, all indicator lights should glow red.

The receiver automatically turns off, when you insert the charging cable into the battery charging receptacle on the receiver.

3. After charging, cover the battery charging receptacles with the rubber plugs on the transmitter and receiver.
4. Battery is fully charged with a 14-hour charge.

TESTING YOUR *dogtra* 175 NCP COLLAR



1. To activate the *dogtra* 175 NCP place the red dot on the back of the transmitter to the red dot on the collar.

Hold the two red marks together for a moment until the LED indicator light comes on.

The indicator light will blink every two seconds showing the unit is charged and ready to use.

(If the red indicator light emits a double blink every two seconds, the batteries need to be charged.)

2. As a safety feature the *dogtra* 175 NCP will automatically shut off if the constant stimulation button is depressed for twelve seconds or longer. To reset the unit, release the button for three seconds.

OPERATING INSTRUCTIONS

Fitting the collar

The collar strap should be adjusted so that the contact points are held firmly against the dog's skin. If the collar is too loose, it can cause irritation from the contacts rubbing against the skin.

If the dog has a heavy coat, move the receiver up and down to work the contact points down into the coat.

ATTENTION!

Avoid having the dog wear the collar with the contact points in the same place for more than two hours at a time. Leaving the points on the same spot for extended periods of time can cause skin irritation. If the dog is to wear the e-collar for long periods, occasionally reposition the collar so that the contact points are moved to a different spot on the dog's neck.

Intensity selection

To select the intensity level, start on "zero" setting. Gradually increase the level until you get a response from the dog that would be equivalent to a quick pull or "jerk" with a leash.

Remember that you will need to adjust the setting (upward or downward) as the dog's attitude changes, especially during times of increased excitement or distraction.

Intermittent use of the Pager (3 second intervals) will extend the units battery life between charges.

Prolonged use of the Pager (12 seconds or longer) will drain the batteries faster.

Maintenance

Always clean and rinse the collar thoroughly with tap water after use in salt water.

The receiver and collar strap should be periodically cleaned with detergent and water to prevent malfunction.

Reception

The **dogtra 175NCP** collar has a range of 400-plus yards. Depending on the way you use your transmitter, the transmitting range may vary. different.

Hold the transmitter away from your body and avoid touching the antenna to get the greatest range.



Maximum Range



Typical Range



Minimum Range

If your finger touches the antenna near the dial on the top of the transmitter, the actual range may be reduced.

ACCESSORIES

The following items may be purchased separately

European Charger

Designed for use with 220V AC electrical outlets in Europe.

Field Auto Charger

Designed for use with the 12-volt cigarette lighter in your car.

WARRANTY AND REPAIR INFORMATION

Warranty Repair

Dogtra Company provides the original purchaser a one year limited warranty on parts and labor from the date of the original purchase. The warranty does not cover failure resulting from damage, abuse or loss of parts. The warranty is void if the unit has been altered or an unauthorized person has attempted work.

A copy of the sales receipt showing purchase date is required before warranty work is begun.

Write a note briefly explaining the problem and include your name, address, city/state/zip code, daytime and evening phone numbers.

Ship to :

Dogtra Company

1250 E. 223rd Street, Suite 119
Carson, CA 90745

For any questions concerning your dogtra products call us Toll Free at 1-888-811-9111.

REPAIR

Out of Warranty Repair

For repair work that is no longer covered by warranty, the cost of repair will include parts, labor and shipping. Write a note briefly explaining the problem. Include your name, address, city/state/zip code, daytime phone number and evening phone number.

Send equipment to:



1250 E. 223rd Street, Suite 119
Carson, CA 90745
Tel : (310) 522 - 1800
Fax : (310) 522 - 1805
Toll Free: 1-888-811-9111